

# *Nelson's Moulding and Frame*

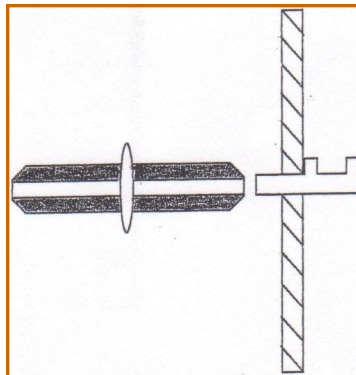
1-800-289-2467

## **MIGHTY MOUNTS**

Unique Mounting Devices for plates, pistols, rifles, knives, sabers, medallions, antique silverware, sand paintings, arrow-heads, and many others.

### **Polypacks**

All Polypacks include one "Press on Tool". The "Press on Tool" will help you to mount the holder onto the backing of frame.



More people than ever are asking to have "collectibles" framed. Up to now, the framer had to wire, sew, or glue objects to the mounting board. Mighty Mounts are easy to use-clip the clear plastic holders onto the object, and push the clear plastic post at the base of each holder through a small hole in the support, such as foam core. Then use the special "Press on Tool" provided in each package to slide the metal pressure nut onto the back snugly and securely.

#### **OBJECT HOLDERS**

S2301 Gun Holder

S2304 Spoon/Object Holder

S2305 Multi-Purpose Holder